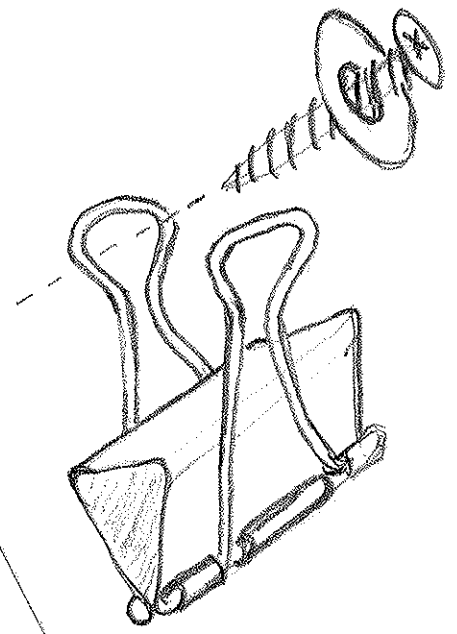
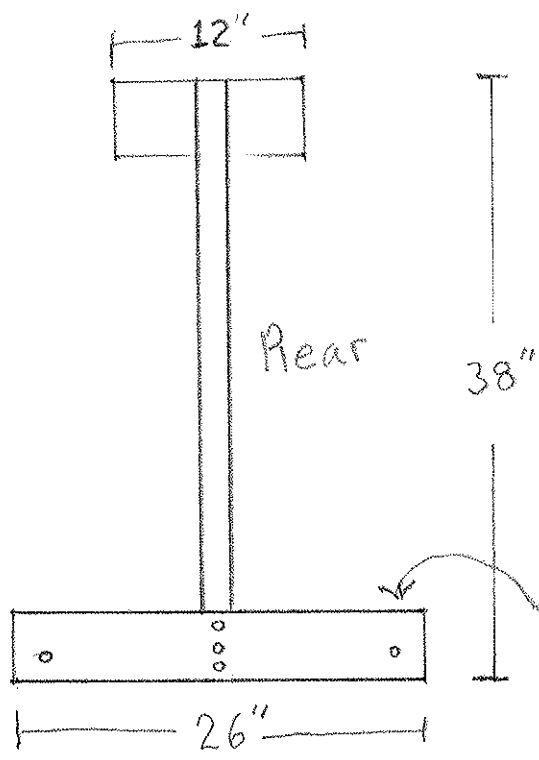


Reverse notch the 38" shaft on both ends to accept the bottom and top cross members

Materials

- 1 8' 2"x4"
- 6 3" Screws
- 2 1 1/2" Screws w/washers
- 2 medium binder clips



Screw binder clips about 3" in from the ends

